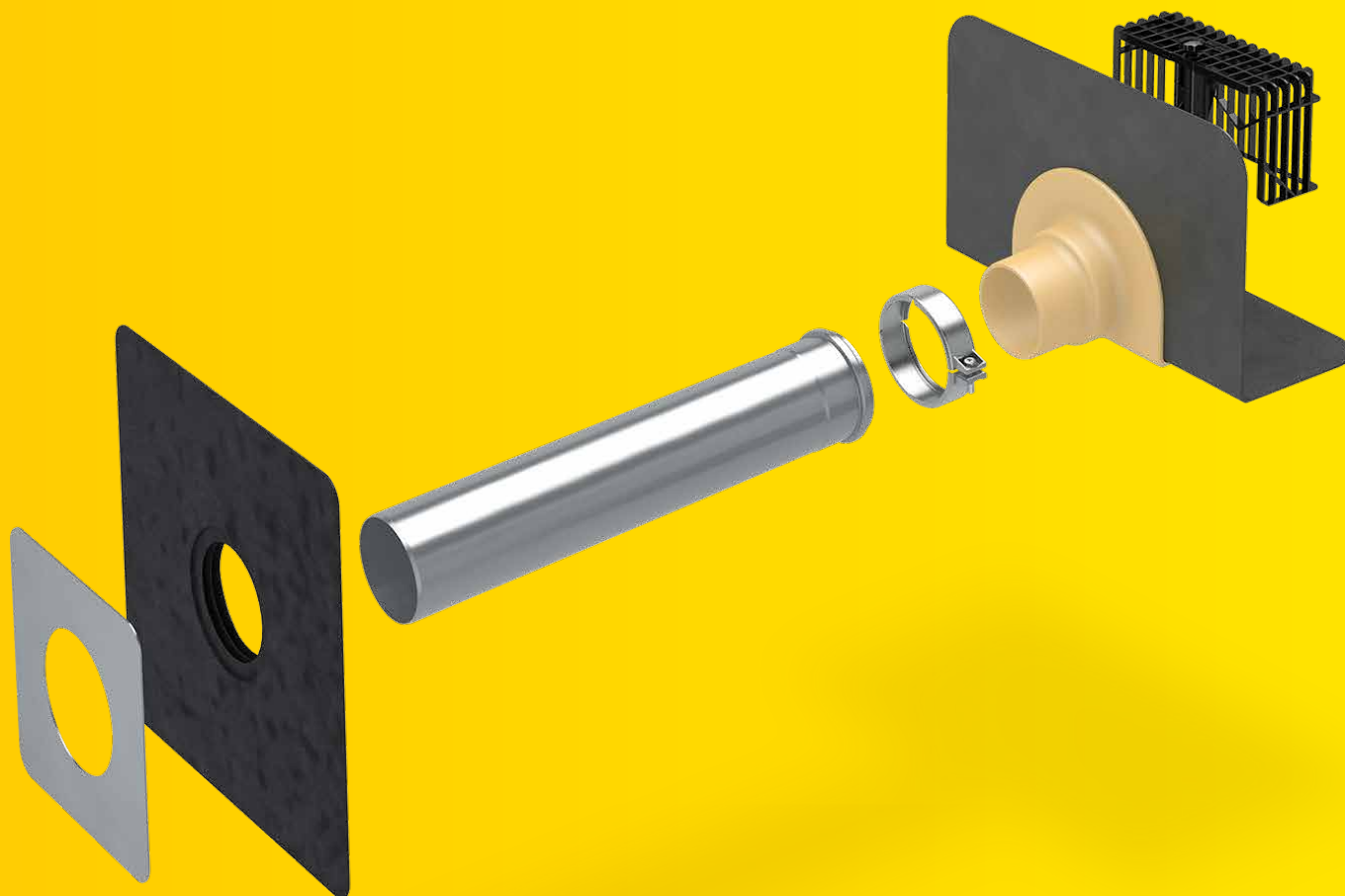


# SitaEasy

Safe parapet drainage made easy.



- + For main and emergency drainage
- + With connection sleeve of choice
- + With angled flange
- + Available with flexible vapour barrier plate
- + With use of the SitaPipe Edelstahl pipe system



**SitaEasy**



**SitaEasy**  
Dome grate



**SitaEasy**  
Retaining element



**SitaMore**  
Vapour barrier plate



**SitaMore**  
Vapour barrier plate  
Duoflex



**SitaAttika**  
Cladding cover plate



**SitaMore**  
Sealing sleeve



**SitaMore**  
PE connection pipe

# SitaEasy

## Product features at a glance:

### Product features

---

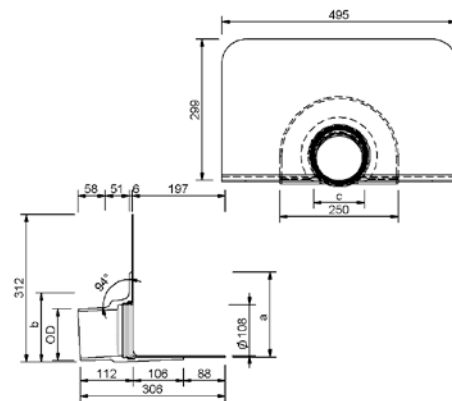
<b>Applications</b>	<b>For main and emergency drainage of flat and slightly pitched, used and unused roof surfaces</b>
<b>Material</b>	<b>Polyurethane</b>
<b>Temperature resistance, min.</b>	<b>-20 °C</b>
<b>Temperature resistance, max.</b>	<b>80 °C</b>
<b>Material class</b>	<b>Euroclass E / B2 normal flammability</b>
<b>Properties</b>	<b>+ Not sensitive to the weather (UV/IR radiation, rain/snow, temperature, ozone, etc.) + Impact and shock resistant + Durable</b>
<b>Workmanship</b>	<b>The general rules of engineering as well as the installation examples and installation instructions of Sita Bauelemente GmbH form the basis. The installation examples are for illustration purposes only and are a general, non-binding recommendation. The design is shown in schematic form only and does not replace the necessary work, detail and installation planning by the contractor. The customer, planner, contractor, etc. is responsible for checking the suitability, completeness and dimensions for the project and adjusting or tailoring the components to suit local requirements. Neighbouring works are shown in schematic form with no guarantee of their being complete or correct. The technical specifications in the information sheets, workmanship guidelines and system permits must be adhered to.</b>



## Tender text

SitaEasy parapet outlet, made of polyurethane, thermally insulated, in sizes DN 50, DN 70 and DN 100. For direct connection of pipes with plug-in coupler, for conventional drainage, with large foamed-in connection sleeve of choice (495 mm x 495 mm). With fixing ring for addition securing of the connection sleeve and to hold a dome grate, supply and install to professional standards.

## Technical drawing



Size DN	OD*	Core borehole (mm)	a (mm)	b (mm)	c (mm)	Article number
50	50	110	142	107	68	18 30 xx
70	75	115				18 32 xx
100	110	150	180	146	108	18 34 xx

\* OD = Outer diameter (mm)

xx = Article end numbers for connection sleeve of choice

Discharge rate according to DIN EN 1253-2

Size DN	Retaining height in mm													
	5	10	15	20	25	30	35	40	45	50	55	60	65	
50	-	-	-	0,2	0,3	0,4	0,5	0,6	0,8	0,8	0,8	0,9	0,9	
70	-	-	-	0,3	0,4	0,5	0,6	0,8	1,0	1,1	1,2	1,4	1,6	
100	-	-	-	0,4	0,6	0,7	0,8	1,0	1,2	1,4	1,6	1,9	2,2	

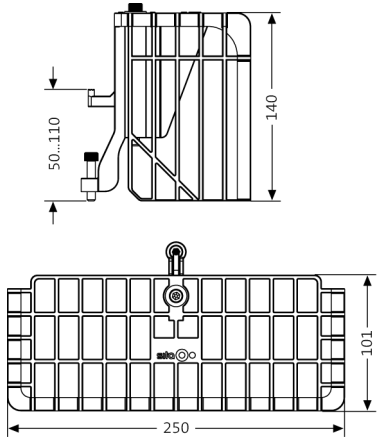
# SitaEasy Dome grate



## Tender text

SitaEasy dome grate, made of polyamide, for sizes DN 50, DN 70 and DN 100. For clamping in the securing ring, with two height adjustments, supply and install to professional standards.

## Technical drawing



Article number
18 90 70

# SitaEasy

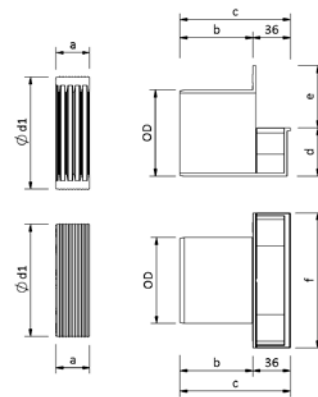
## Retaining element



### Tender text

SitaEasy retaining element, made of polyamide, for emergency drainage according to DIN EN 1253-2, for SitaEasy roof outlets in sizes DN 50, DN 70 and DN 100, for retaining heights of 19 - 50 mm (DN 50 / DN 70) and 16 - 59 mm (DN 100), can be shortened on site, with multi-lipped angled sealing ring for sealing the retaining element to the roof outlet, supply and install to professional standards.

### Technical drawing



OD*	Damming height from-to (mm)	a (mm)	b (mm)	c (mm)	d (mm)	e (mm)	f (mm)	d1 (mm)	Article number
55	19 - 50	32	43	76	43	29	84	68	18 90 74
83	16 - 59	33	70	103	47	60	130	108	18 90 75

\* OD = Outer diameter (mm)

# SitaMore

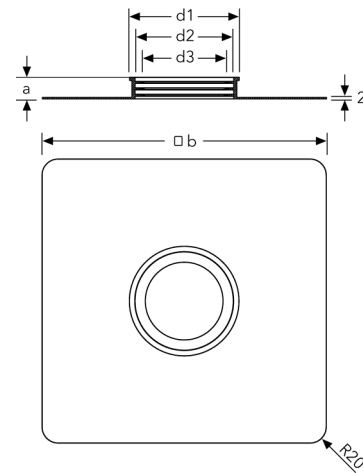
## Vapour barrier plate



### Tender text

SitaMore vapour barrier plate flex, made of EPDM, with adhesive flange for flexible vapour-tight connection of the vapour barrier to round pipes in sizes DN 50, DN 70, DN 100, DN 125 and DN 150, with a multi-lip integrated sealing area, supply and install to professional standards.

### Technical drawing



Size DN	a (mm)	b (mm)	d1 (mm)	d2 (mm)	d3 (mm)	Article number
50	27	352	76	62	44	18 50 90
70			105	91	67	18 70 90
100			136	122	96	18 00 90
125	28	400	159	145	119	18 12 90
150			195	181	153	18 60 90

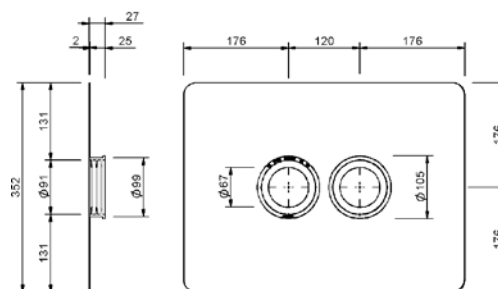
# SitaMore Vapour barrier plate



## Tender text

SitaMore vapour barrier plate Duoflex, made of EPDM, with adhesive flange for flexible vapour-tight connection of the vapour barrier to round pipes in sizes DN 70, with two multi-lip integrated sealing areas, supply and install to professional standards.

## Technical drawing

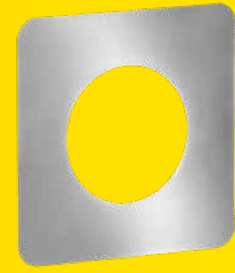


Compatibility	Article number
SitaIndra, SitaEasy, SitaPipe Edelstahl pipe	18 76 90



# SitaAttika

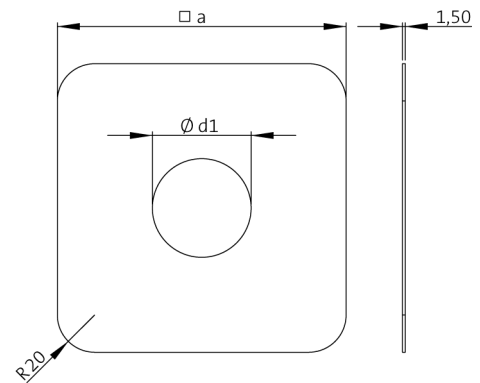
## Cladding cover plate



### Tender text

SitaAttika cladding cover plate, made of rust-proof stainless steel, material number 1.4301, to cover the parapet or wall opening in sizes DN 50 to DN 200, material thickness 1.5 mm, supply and install to professional standards.

### Technical drawing



Size DN	a (mm)	d1 (mm)	Article number
50	155	54	E 18 90 25
70	180	79	E 18 90 26
100	215	114	E 18 90 27
125	230	129	E 18 90 28
150	265	165	E 18 90 29
200	303	203	E 18 90 45

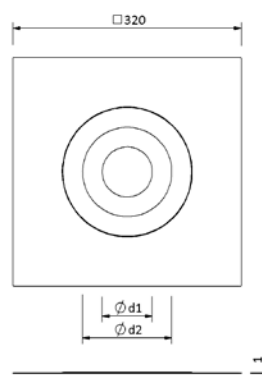
# SitaMore Sealing sleeve



## Tender text

SitaMore sealing sleeve for WDVS, made of fleece-butyl, one-part render-compatible air sealing sleeve designed to be concealed in plastic, for the rapid and airtight sealing of pipe fairleads in the thermal insulation composite system according to DIN 4108-7 and GEG 2023, in sizes DN 70 and DN 100, measuring 320 x 320 mm, with highly flexible EPDM seal, self-adhesive render-compatible fleece butyl collar for permanent bonding to the substrate (adhesion primer may be necessary) and between the fleece bonding surface and the render, supply and install to professional standards.

## Technical drawing



Size DN	d1 (mm)	d2 (mm)	Article number
70	45	110	18 00 75
100	70	125	18 00 11

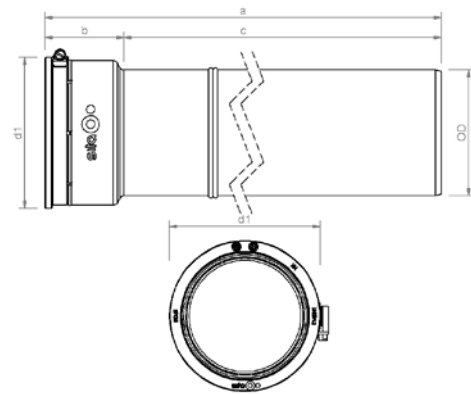
# SitaMore PE connection pipe



## Tender text

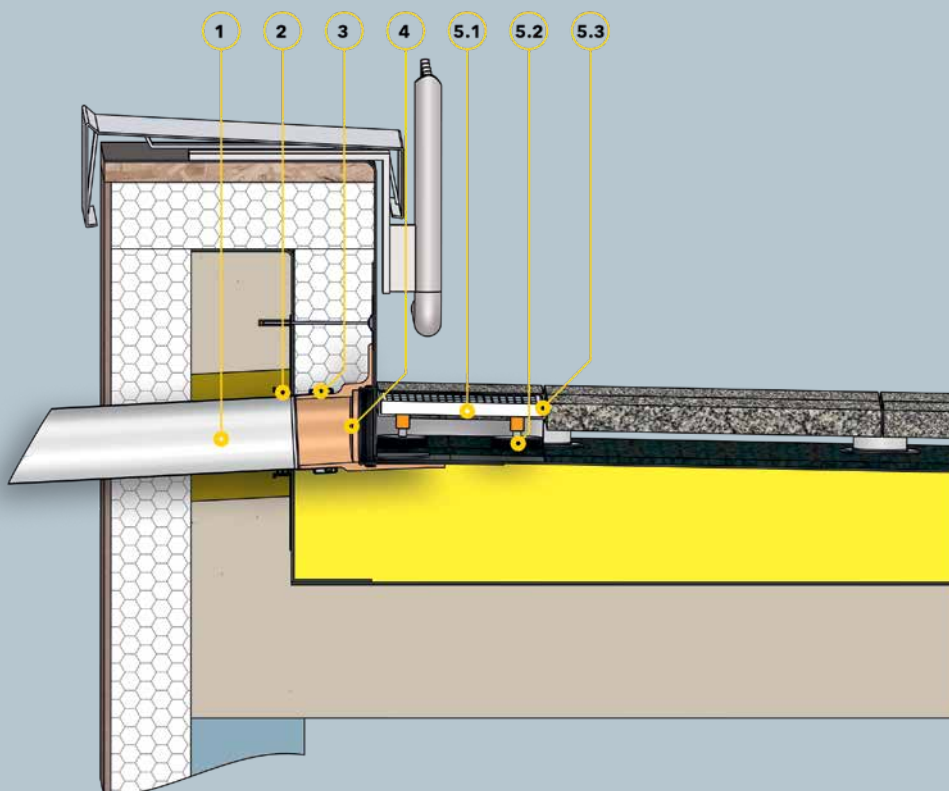
SitaMore PE connection pipe, PE-HD socket pipe with inserted multi-lip EPDM seal and a hose clamp made of rust-proof stainless steel, material number 1.4401, for a secure connection to roof drains in sizes DN 70 or DN 100, supply and install to professional standards.

## Technical drawing



Size DN	OD*	a (mm)	b (mm)	c (mm)	d1 (mm)	Article number
70	75	572	72	500	97	18 55 90
		1072		1000		18 55 92
		2072		2000		18 55 95
100	110	569	69	500	132	18 55 91
		1069		1000		18 55 94
		2069		2000		18 55 96

\* OD = Outer diameter (mm)



## Components

- 1 SitaPipe Edelstahl pipe
- 2 SitaMore vapour barrier plate flex
- 3 SitaPipe Edelstahl safety clamp
- 4 SitaEasy

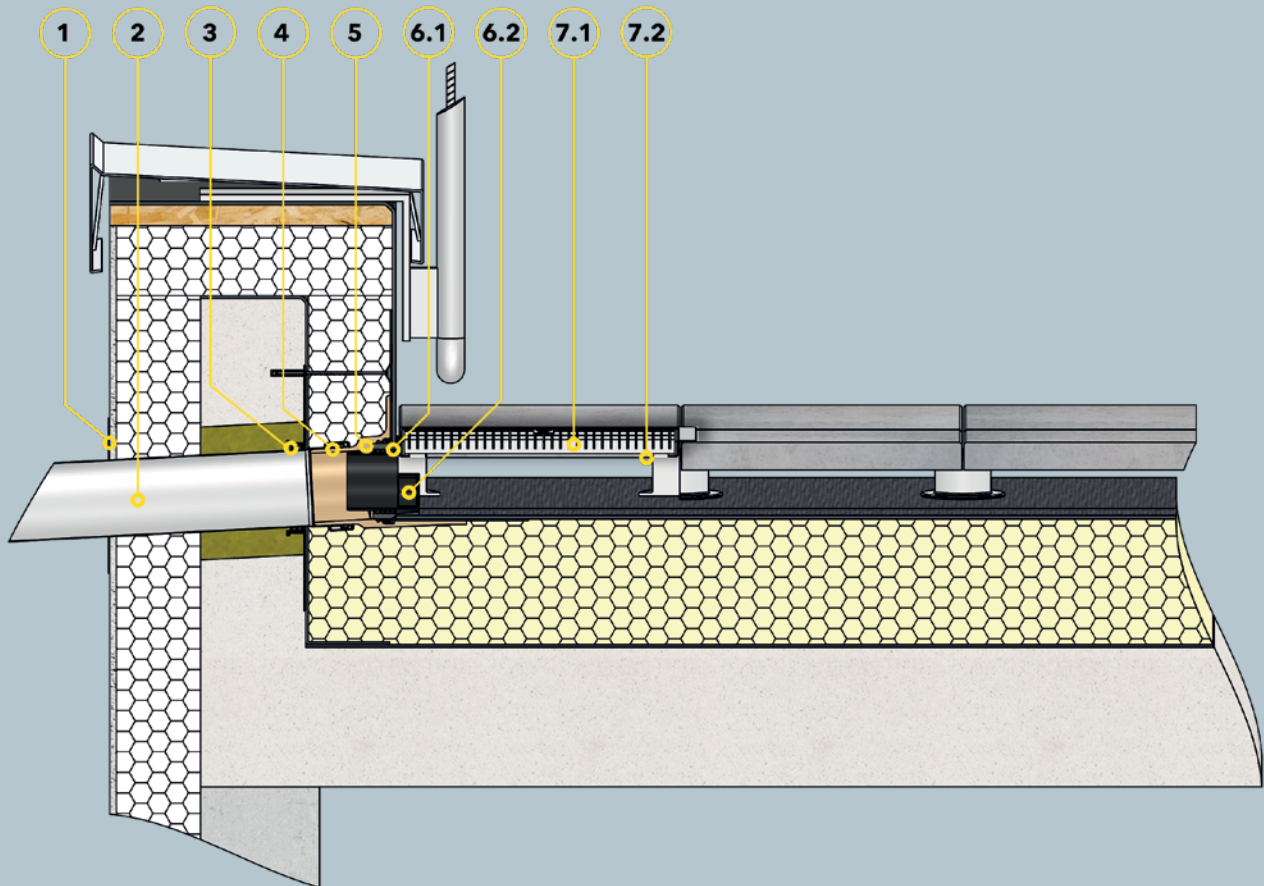
## SitaDrain® Terra consisting of:

- 5.1 Inspection grate
- 5.2 Height-adjustable rubber-metal buffers
- 5.3 Frame

## Roof structure

### Non-ventilated roof structure with slab paving on support pad to the general rules of engineering with:

- + Slab paving on support pad
- + Protective mat
- + Sealing
- + Thermal insulation
- + Vapour barrier
- + Substructure
- + Parapet opening with joint tape



## Components

- 1 SitaAttika cladding cover plate
- 2 SitaPipe Edelstahl pipe
- 3 SitaMore vapour barrier plate flex
- 4 SitaPipe Edelstahl safety clamp
- 5 SitaEasy

### SitaEasy retaining element consisting of:

- 6.1 Seal
- 6.2 Retaining element base body

### SitaDrain® profile frame consisting of:

- 7.1 Inspection grate
- 7.2 Profile frame

## Roof structure

### Non-ventilated roof structure with slab paving on support pads to the general rules of engineering with:

- + Slab paving on support pads
- + Protective mat
- + Sealing
- + Thermal insulation
- + Vapour barrier
- + Substructure
- + Parapet lead-through with joint tape